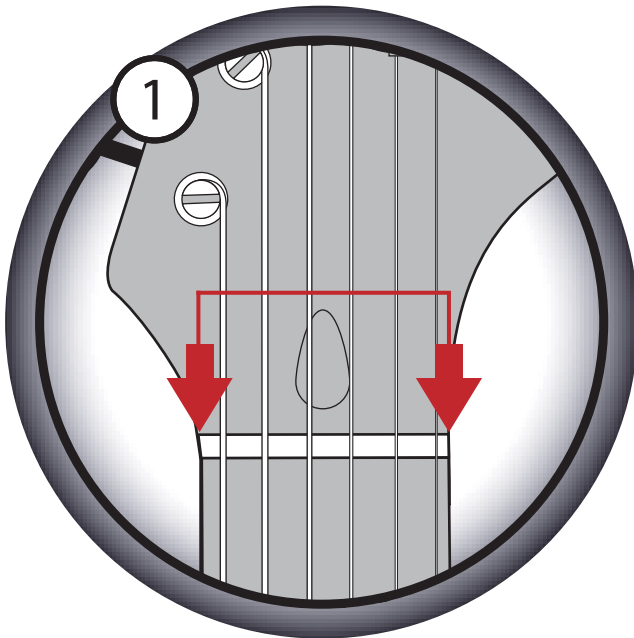
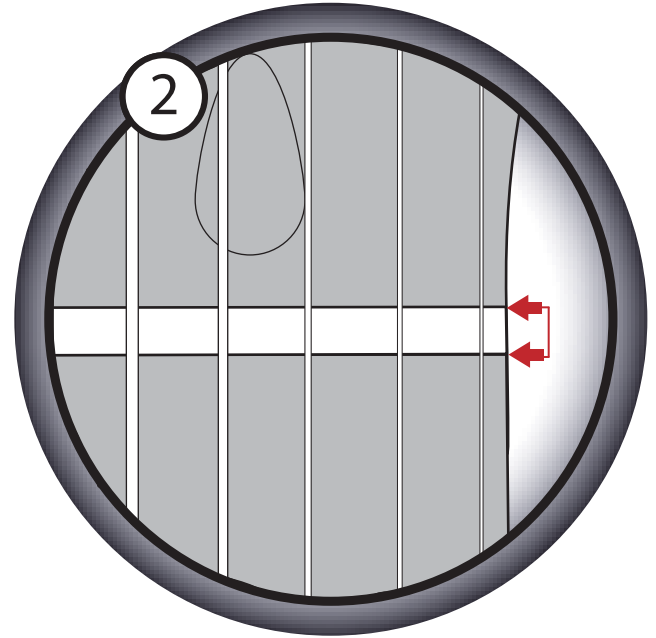


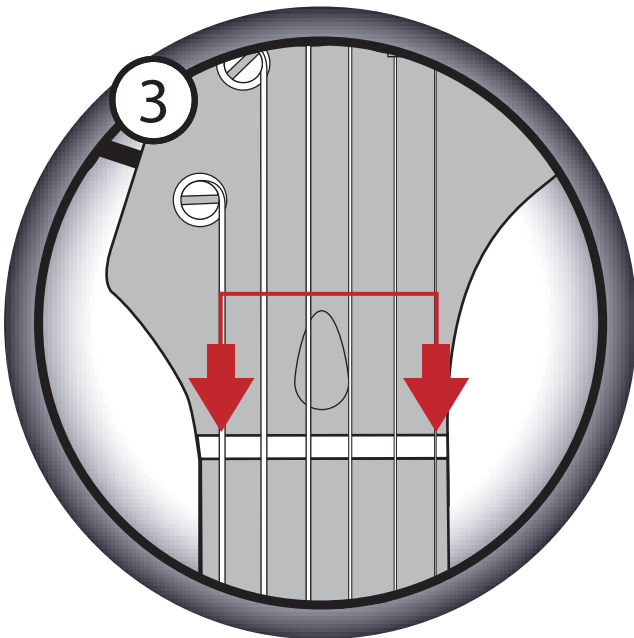
## How To Measure A Nut



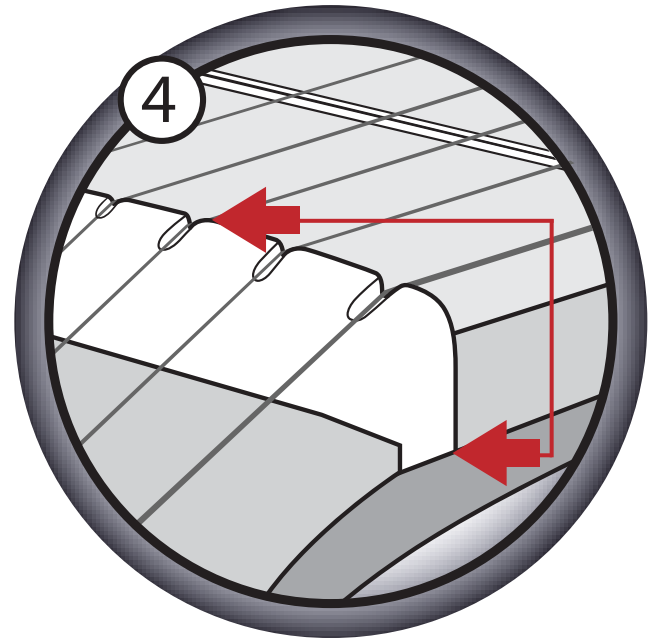
1. Measure the overall length of your existing nut. Be as accurate as you can by using a ruler, calipers or a tape measure. Record this dimension.



2. Measure the overall width of your existing nut. Be as accurate as you can by using a ruler, calipers or a tape measure. Record this dimension.



3. Measure the E to E spacing of your existing nut, from the center of the low E slot to the center of the high E slot. Be as accurate as you can by using a ruler, calipers or a tape measure. Record this dimension.



4. Measure the overall height of your existing nut from the bottom to the **highest point**. Be as accurate as you can by using a ruler, calipers or a tape measure. Record this dimension.

5. Use the dimension for your E to E spacing to find the closest match to a Graph Tech nut. You want the E to E spacing to be as close to yours without going over (slightly smaller will work). All other dimensions can be slightly oversized as you can sand down the overall length, width and height with fine grit sandpaper.