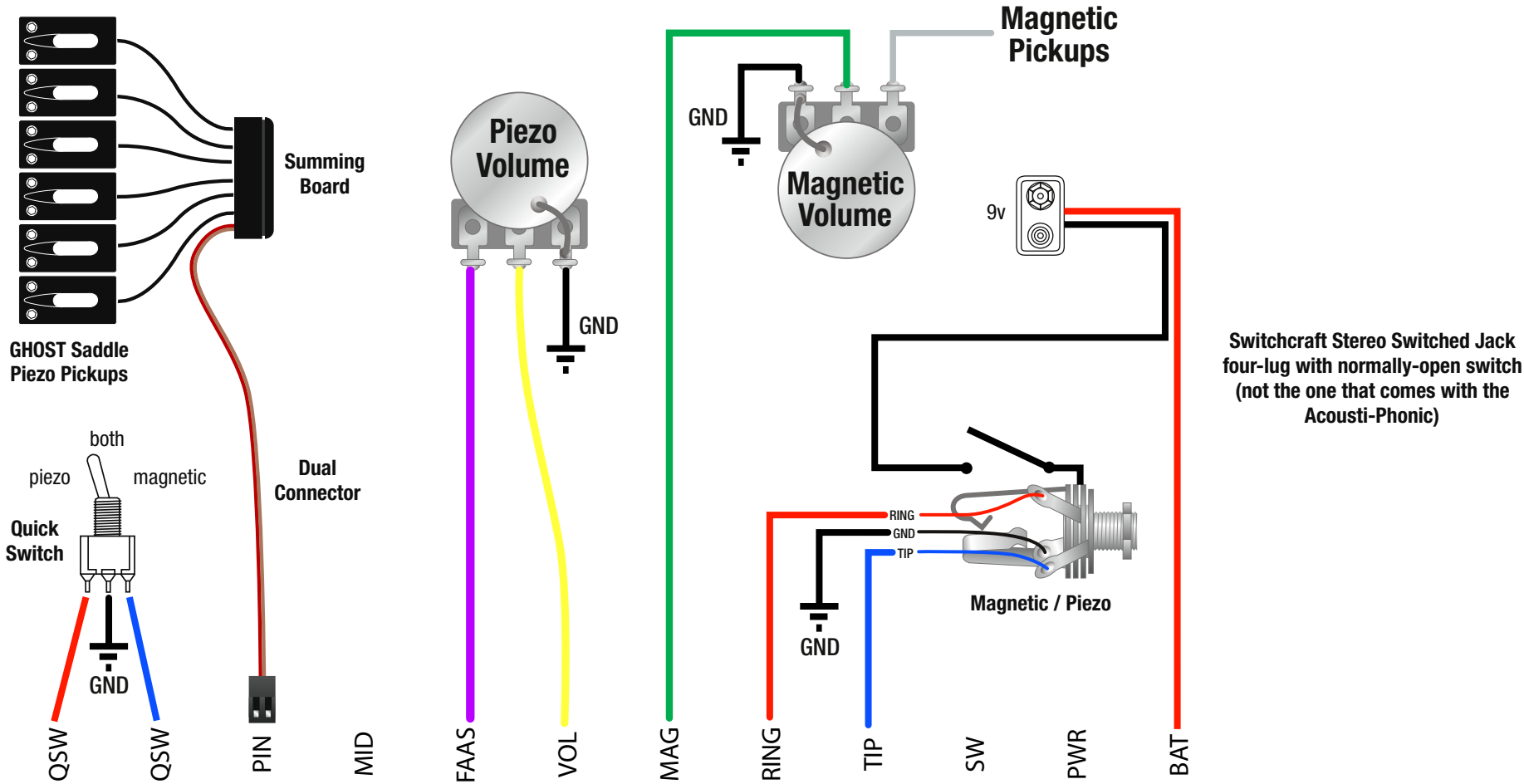
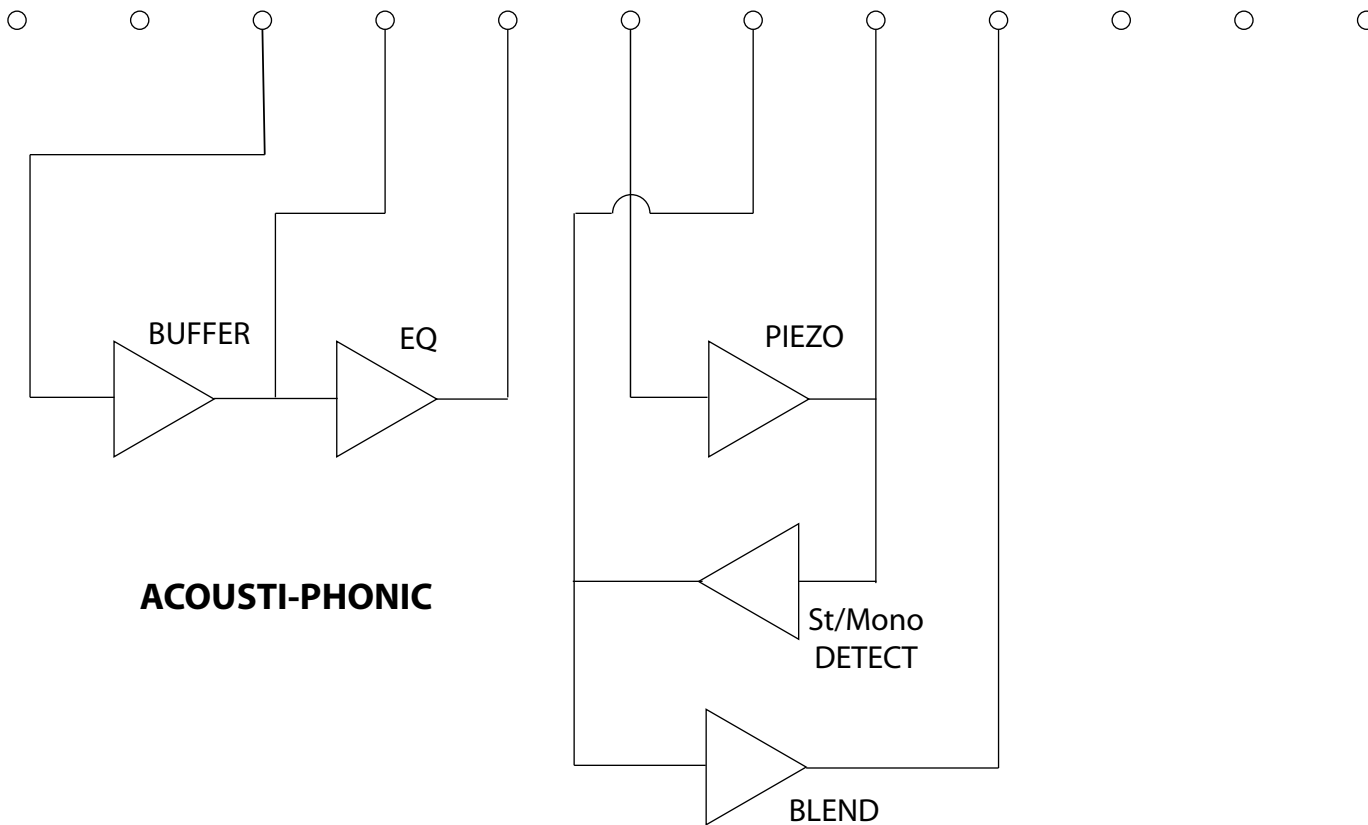


ACOUSTI-PHONIC with Power Switched using Switchcraft Four-Lug Jack



Switchcraft Stereo Switched Jack four-lug with normally-open switch (not the one that comes with the Acousti-Phonic)

signal through-pins on Acousti-Phonic board (ground pins not shown)



ACOUSTI-PHONIC