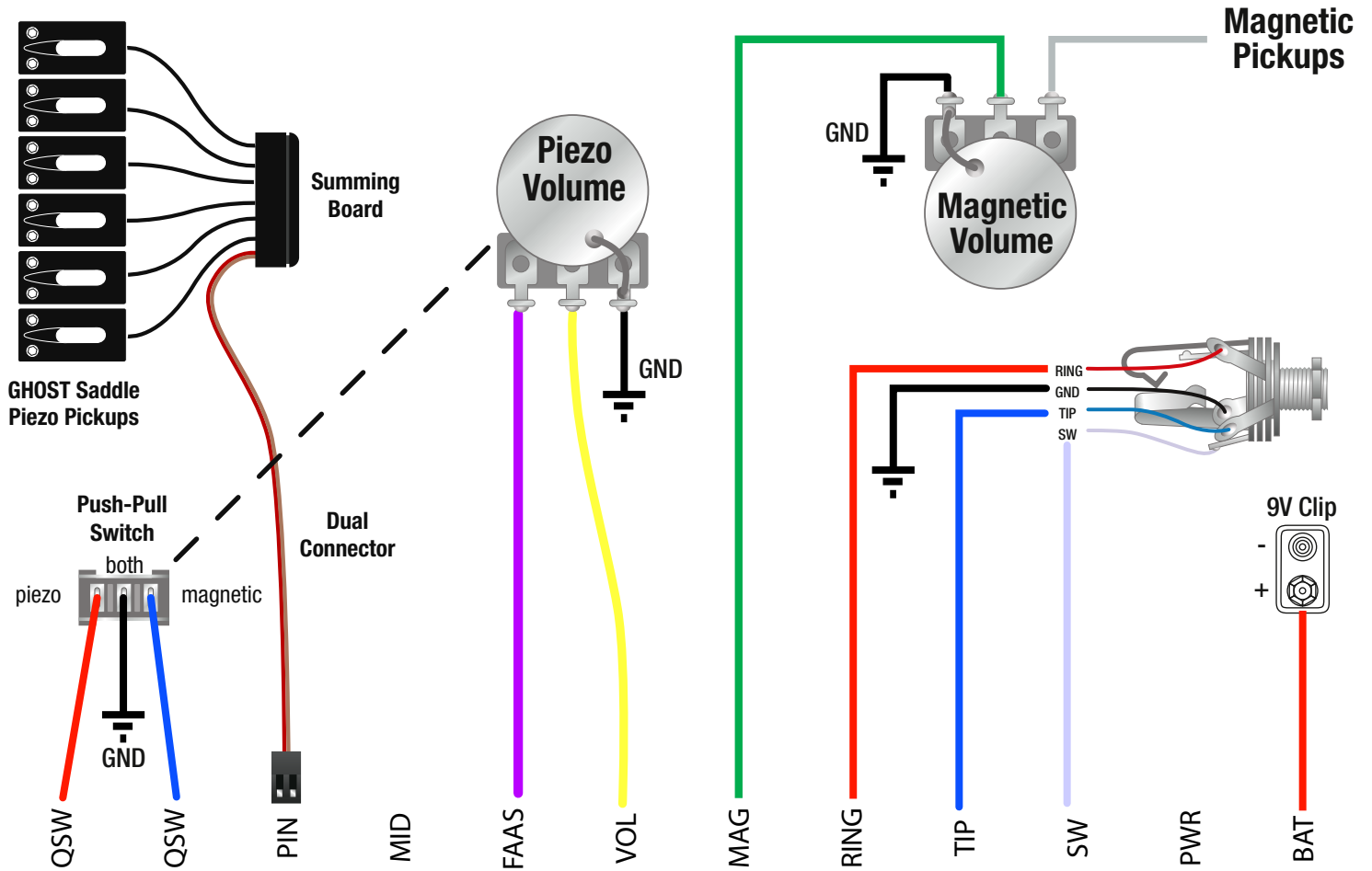
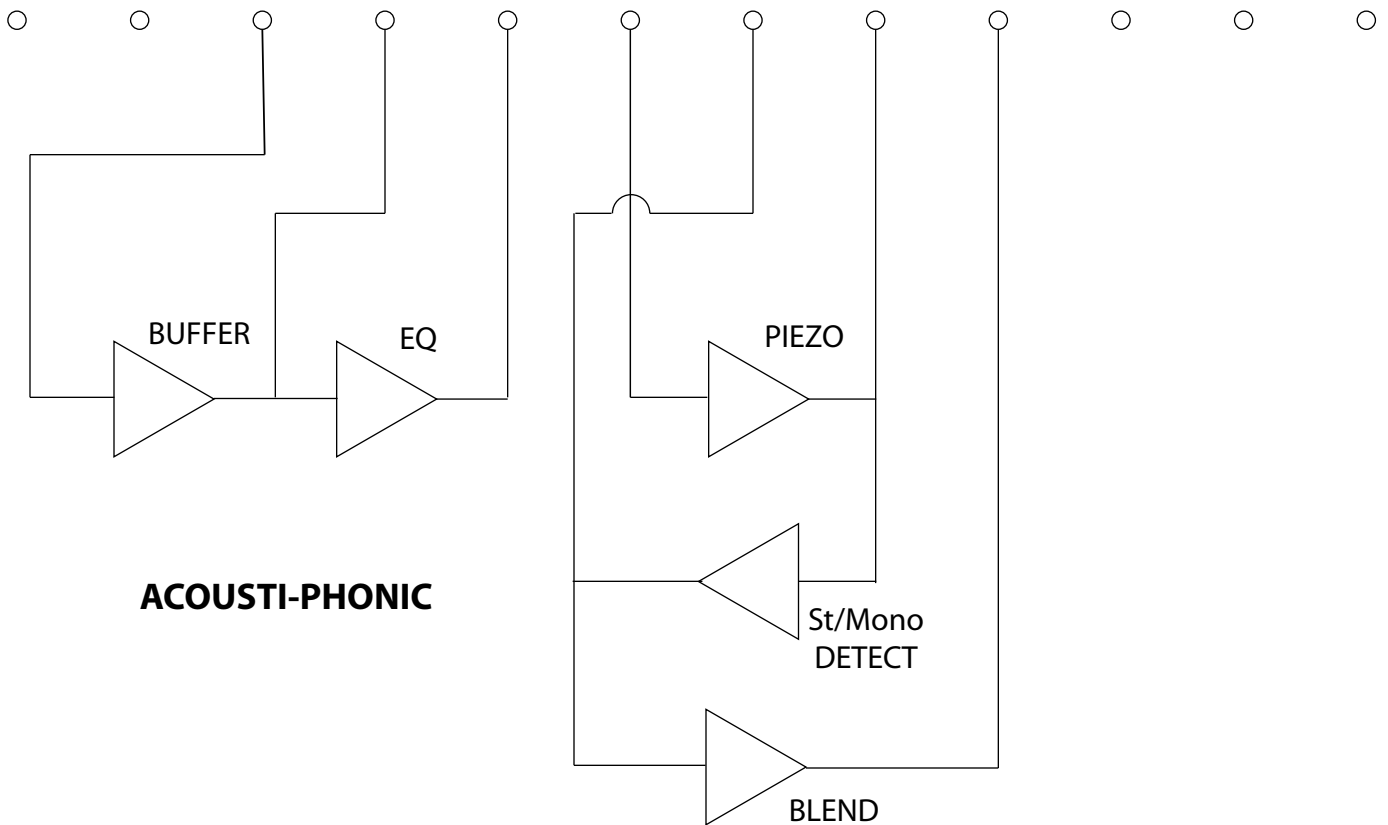


ACOUSTI-PHONIC with Push-Pull pot as QuickSwitch



signal through-pins on Acousti-Phonic board (ground pins not shown)



ACOUSTI-PHONIC