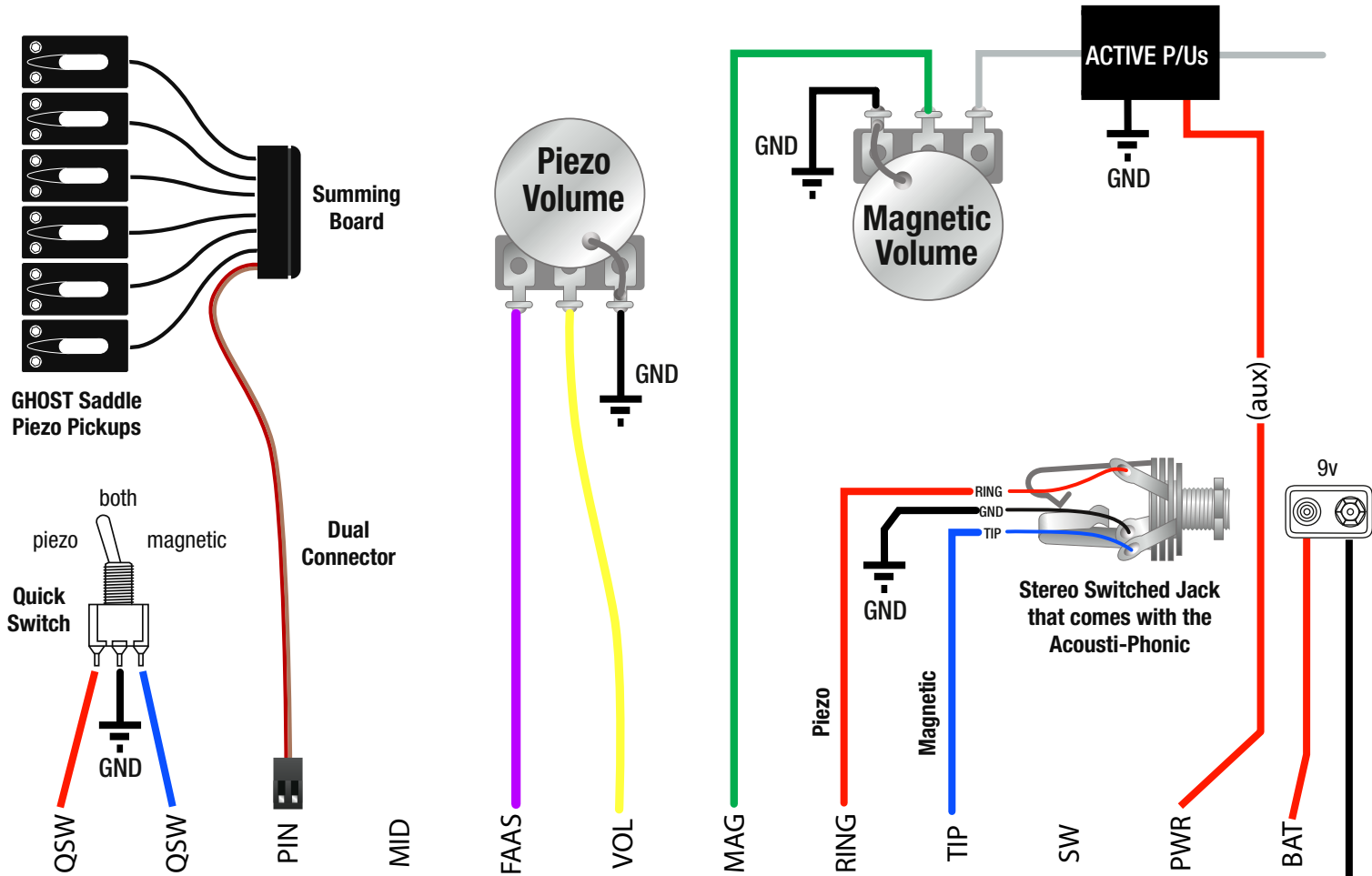
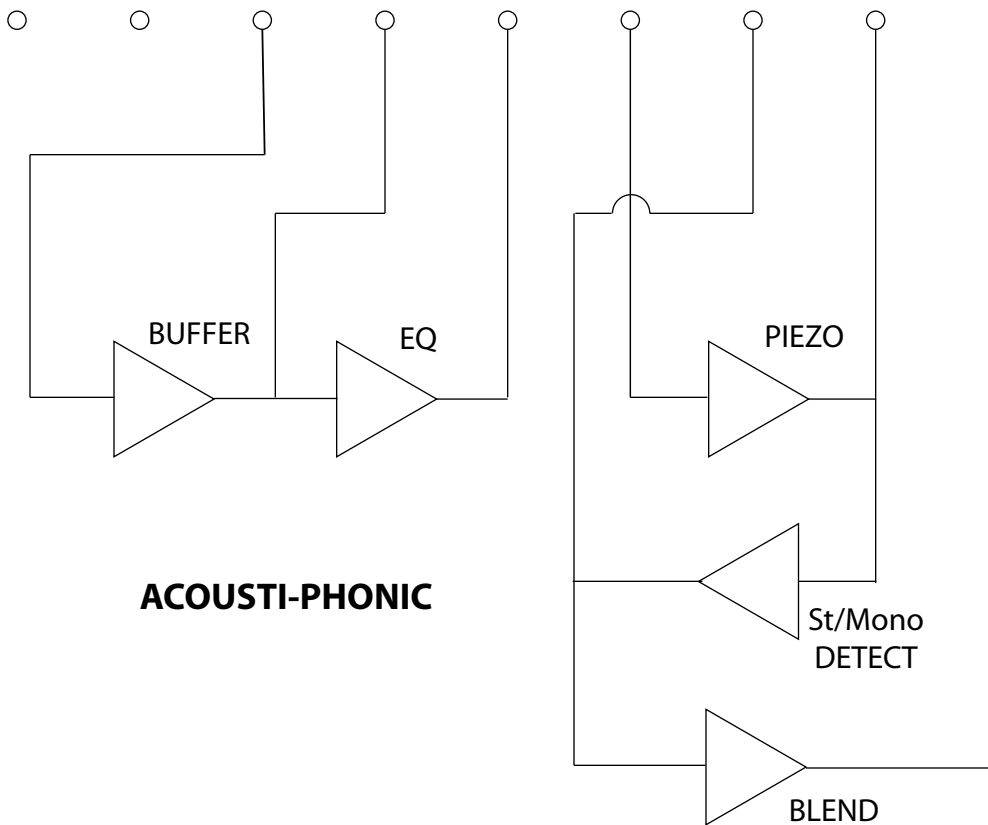


ACOUSTI-PHONIC with Active Mag Pickups, Output Jack Powers Both



signal through-pins on Acousti-Phonic board (ground pins not shown)



The pin on the ground row opposite the battery connection is not on ground. It is 'lifted' off of ground by a FET controlled by the Stereo Switched jack, and gets connected to ground when a 1/4" plug is inserted in the jack.