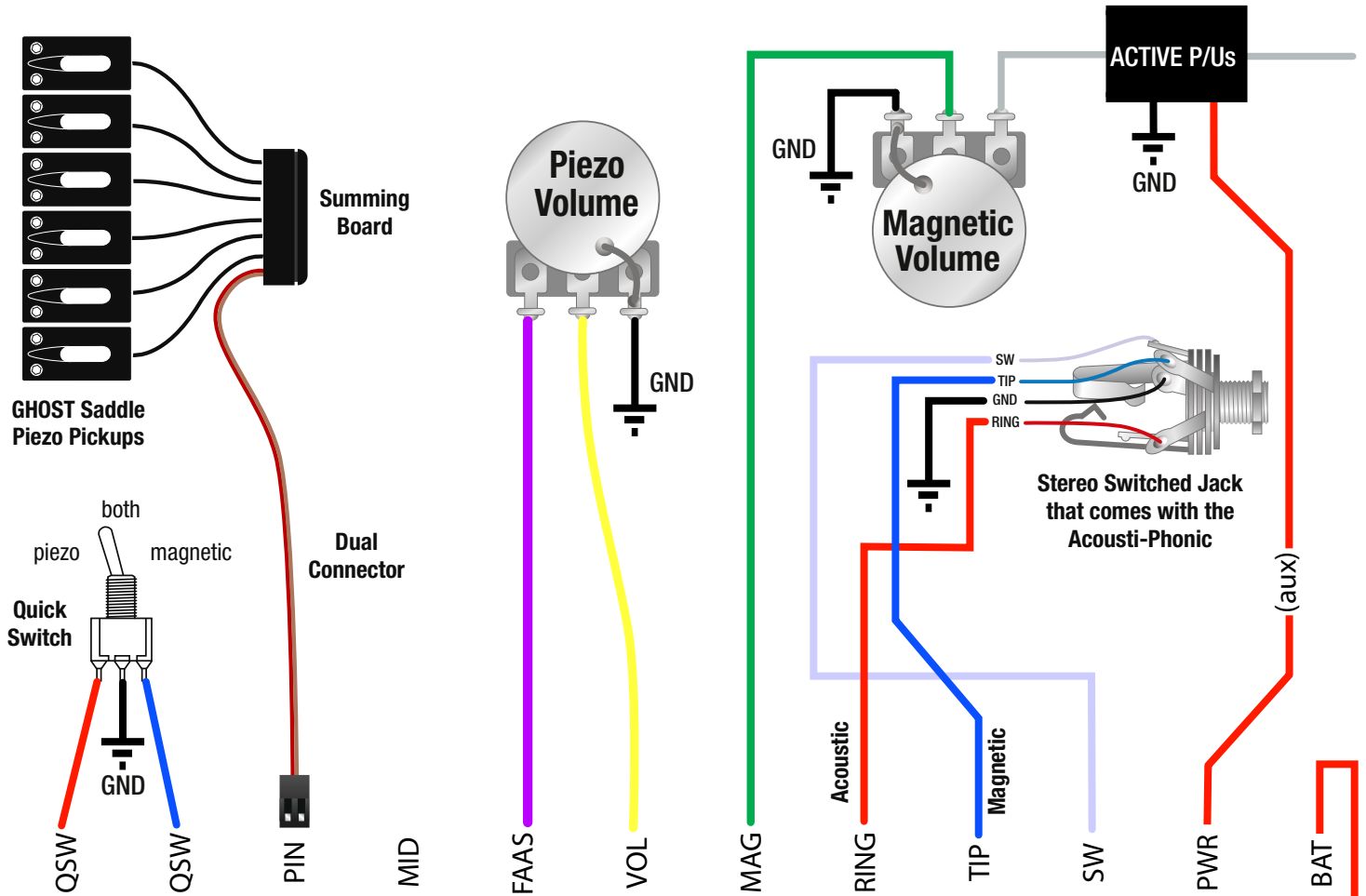
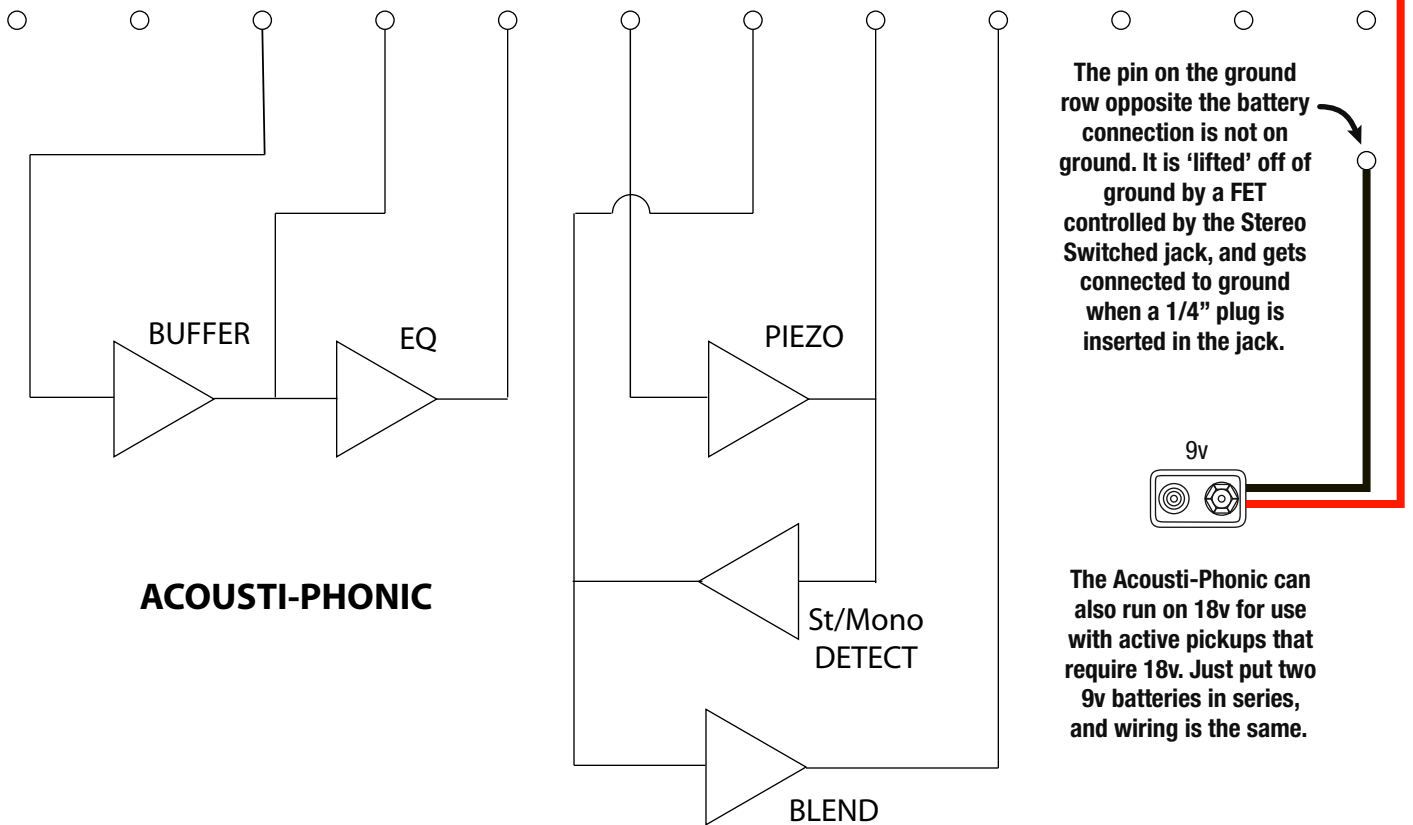


ACOUSTI-PHONIC with Active Mag Pickups, Output Jack Powers Both



signal through-pins on Acousti-Phonic board (ground pins not shown)



ACOUSTI-PHONIC

The pin on the ground row opposite the battery connection is not on ground. It is 'lifted' off of ground by a FET controlled by the Stereo Switched jack, and gets connected to ground when a 1/4" plug is inserted in the jack.

The Acousti-Phonic can also run on 18v for use with active pickups that require 18v. Just put two 9v batteries in series, and wiring is the same.