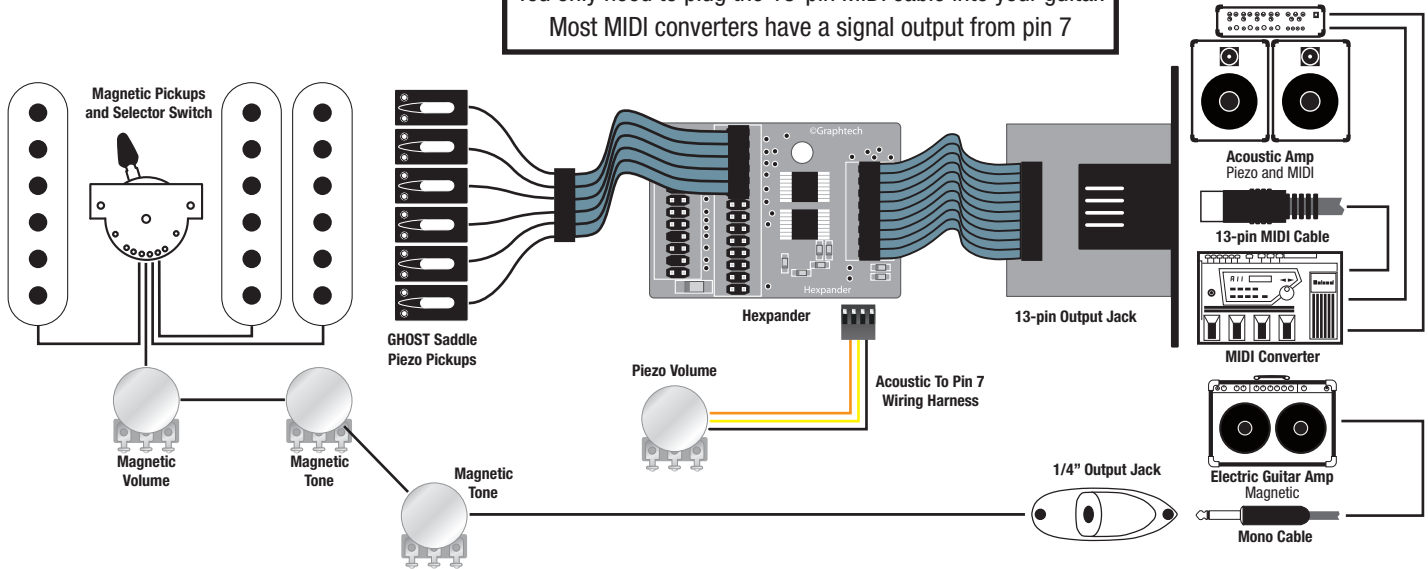


Magnetic and MIDI On One Cable
You only need to plug the 13-pin MIDI cable into your guitar.
Most MIDI converters have a signal output from pin 7



PE-0182-G0 Magnetic To Pin 7 Wiring Harness