

Order Saddles Separately

Saddles are not included in the kits because they are different for each type of bridge.

MIDI Volume Pot

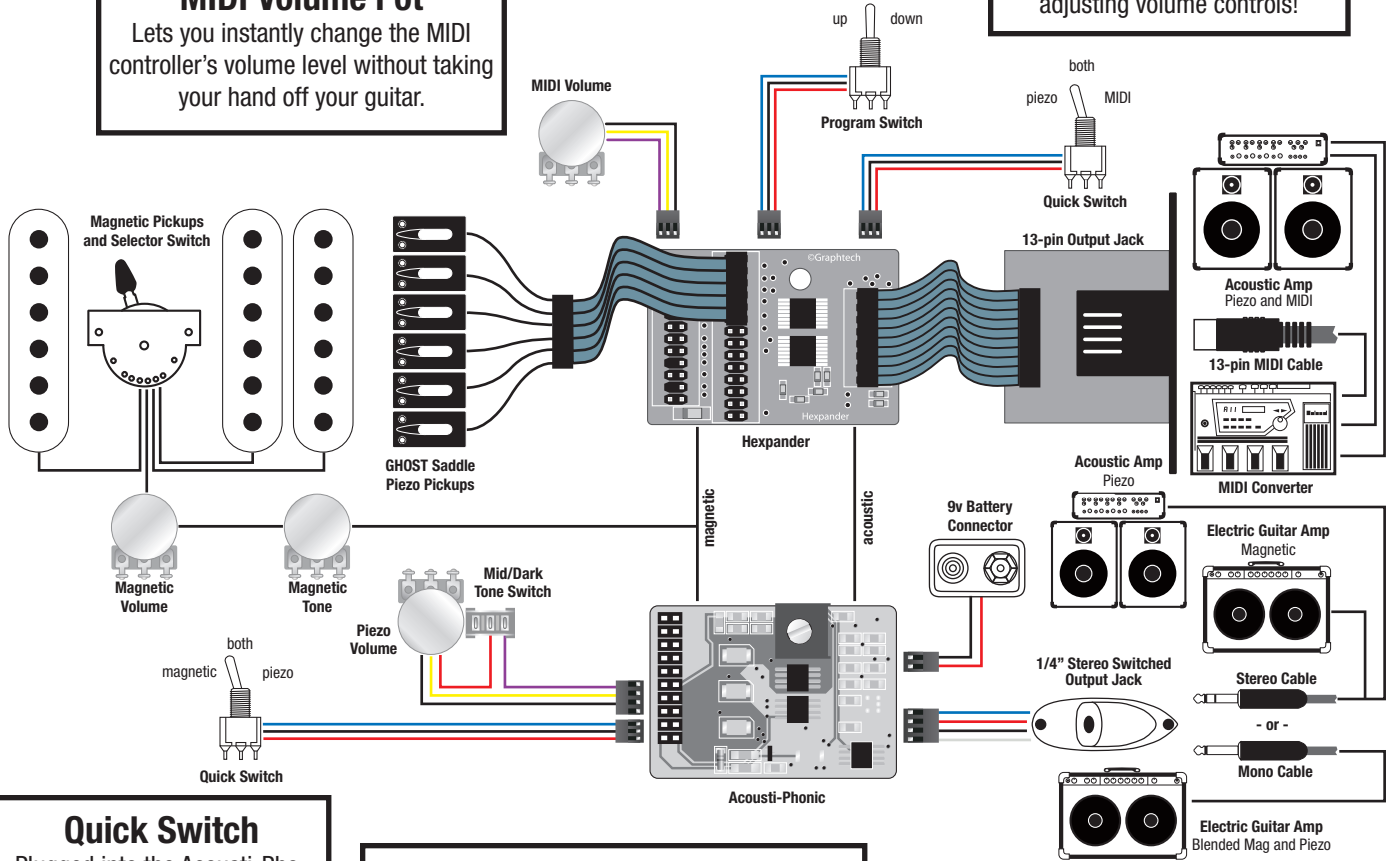
Lets you instantly change the MIDI controller's volume level without taking your hand off your guitar.

Program Up/Down Switch

Lets you instantly change the MIDI controller to the next patch without taking your hand off your guitar.

Quick Switch

Plugged into the Hexpander, it lets you instantly select MIDI, piezo, or both at the same time; without adjusting volume controls!



Quick Switch

Plugged into the Acousti-Phonic, it lets you instantly select magnetic, piezo, or both blended together; without adjusting volume controls!

Mid/Dark Tone Switch

Lets you select from two piezo tone settings with a push-push switch in the piezo volume knob.

The Best of All Possible Worlds

The Acousti-Phonic adds Piezo acoustic capability. The Hexpander adds MIDI capability. You can play one or the other, or both together at the same time along with your magnetic pickups.

PK-0680-00 GHOST Piggyback Kit

PK-0240-00 Acousti-Phonic Kit for Guitar

PE-0240-00 Acousti-Phonic Preamp

BD-0240-00 Acousti-Phonic Board for Guitar

BD-0103-01 Stereo Switched Output Jack

BE-5003-00 Output Jack Cable Assembly

BE-5002-00 Piezo Volume Pot Cable Assembly

BE-0204-00 Battery Connector

BE-0205-00 Battery Holder

BE-5017-00 Summing Board

BE-5021-00 Dual Connector Assembly

BE-0111-00 Quick Switch with Wiring Harness

BE-0206-00 Volume Pot with Mid/Dark Tone Switch

PK-0440-00 Hexpander Kit

BE-0440-00 Hexpander MIDI Adapter

BD-0477-00 Hexpander MIDI board

BE-0540-00 13-Pin Output Jack

BE-0512-00 Output Interface Wiring Harness

BE-0511-00 Saddle Extension Harness

BE-0181-00 Hexpander Volume Pot

BE-0111-00 Quick Switch with Wiring Harness

BE-0180-00 Program Up/Down Switch