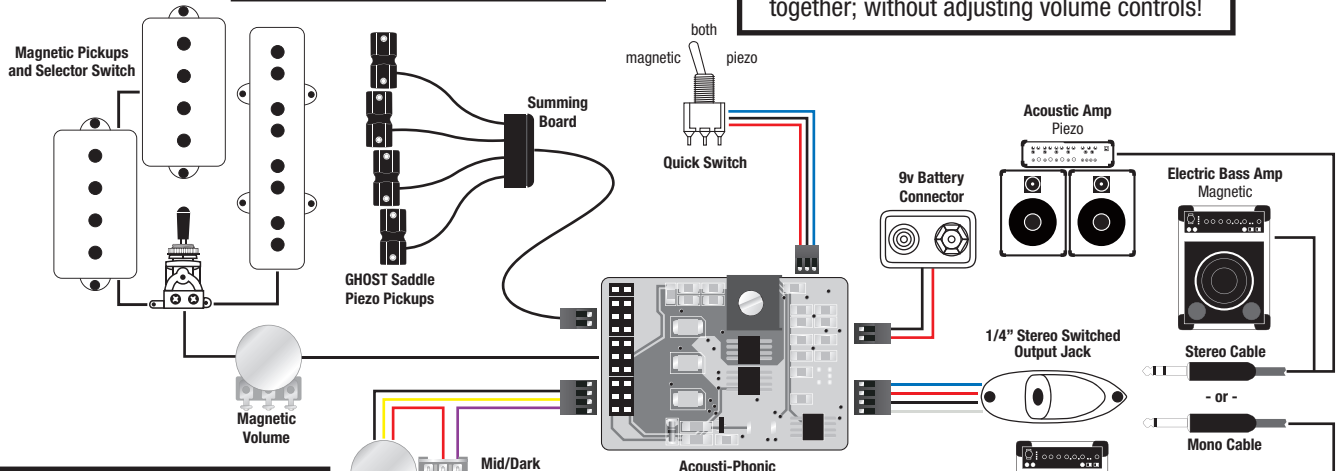


It's not just for Fenders!
 You can add the Acousti-Phonic to most Bass guitars.

Quick Switch
 Plugged into the Acousti-Phonic, it lets you instantly select magnetic, piezo, or both blended together; without adjusting volume controls!



Mid/Dark Tone Switch
 Lets you select from two piezo tone settings with a push-push switch in the piezo volume knob.

PK-0340-00 Acousti-Phonic Kit

- PE-0340-00 Acousti-Phonic Preamp
- PE-0111-00 Quick Switch with Wiring Harness
- PE-0206-00 Volume Pot with Mid/Dark Tone Switch