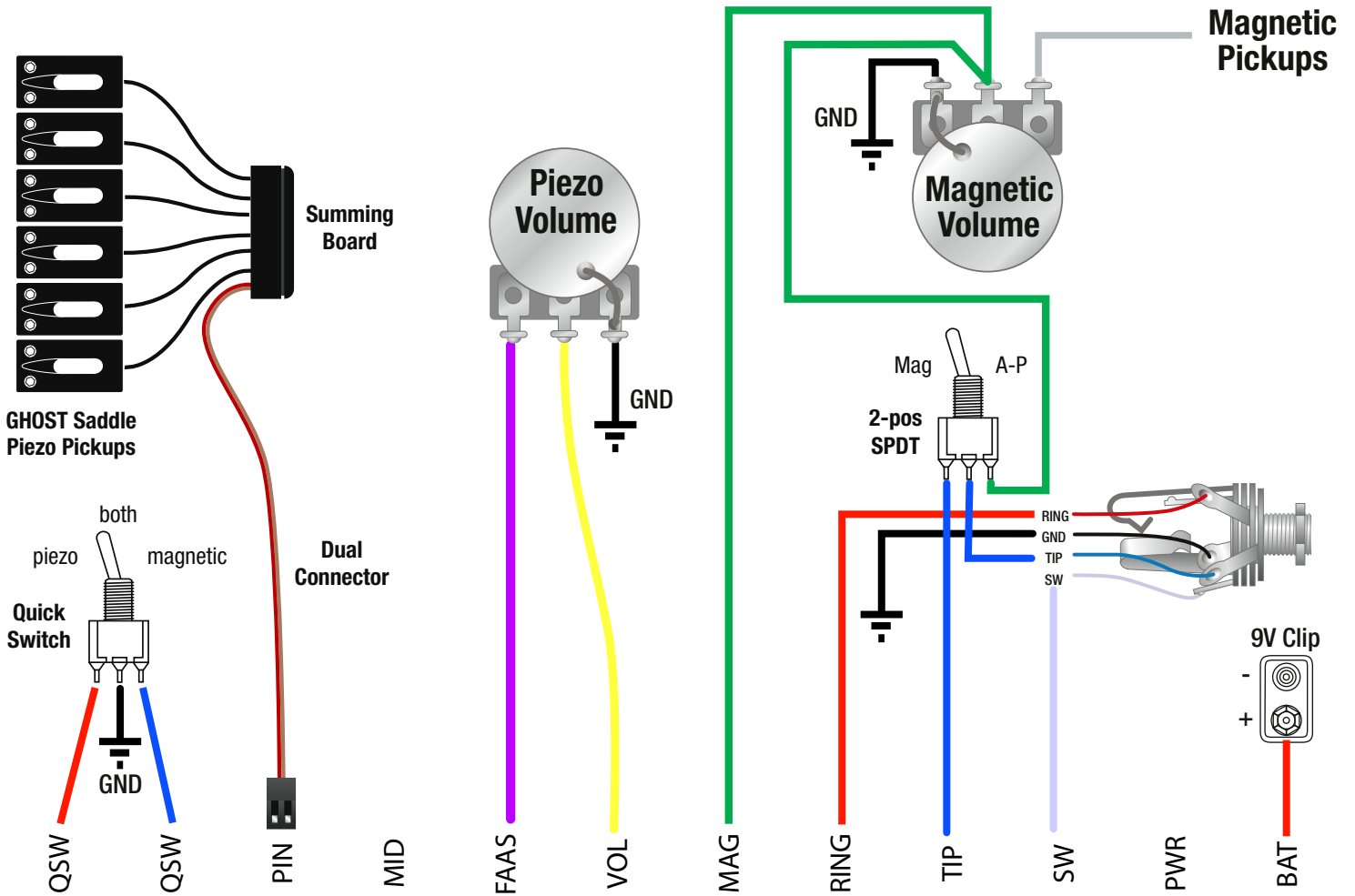


ACOUSTI-PHONIC with Mag Bypass Switch



signal through-pins on Acousti-Phonic board (ground pins not shown)

