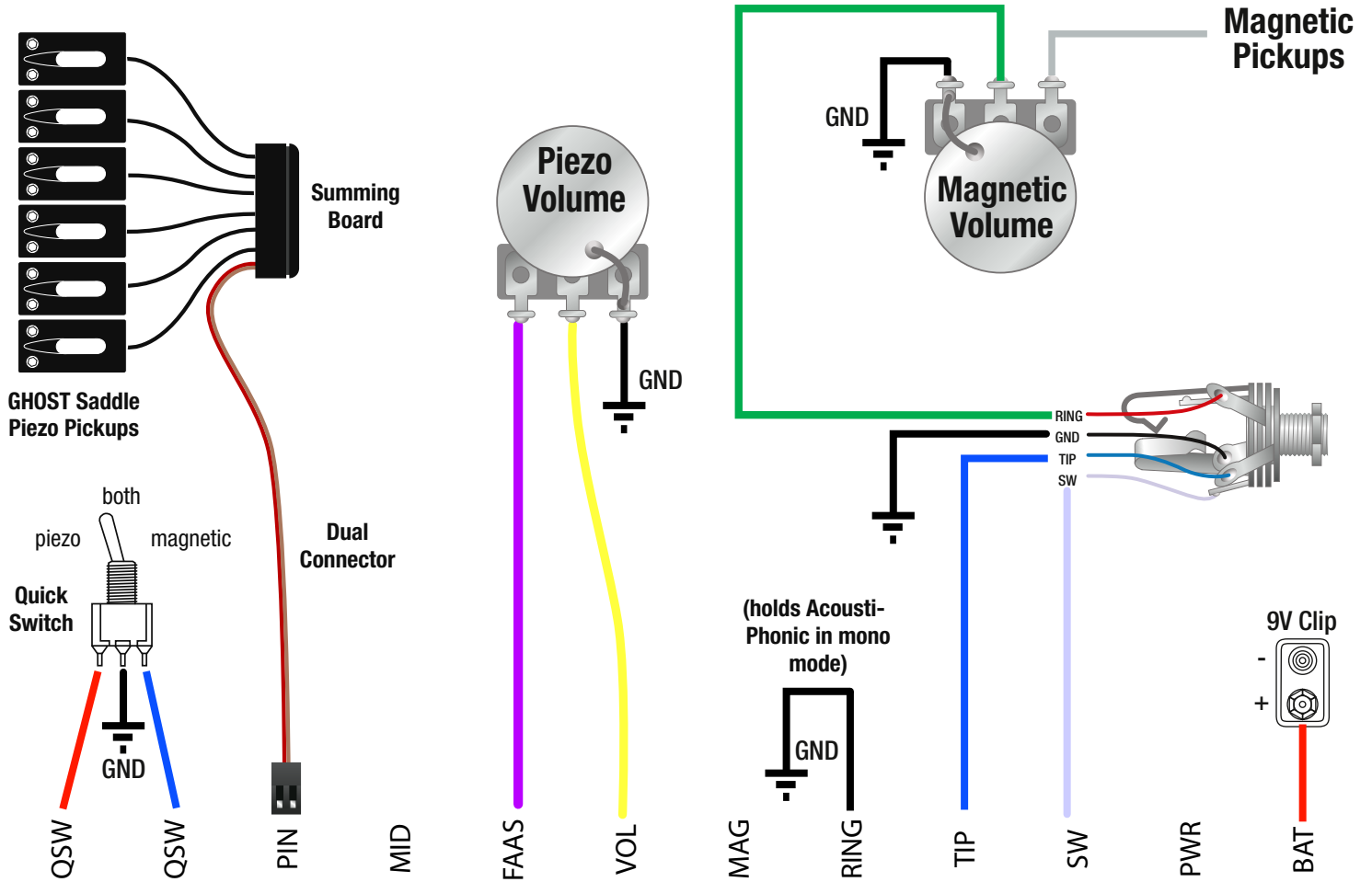
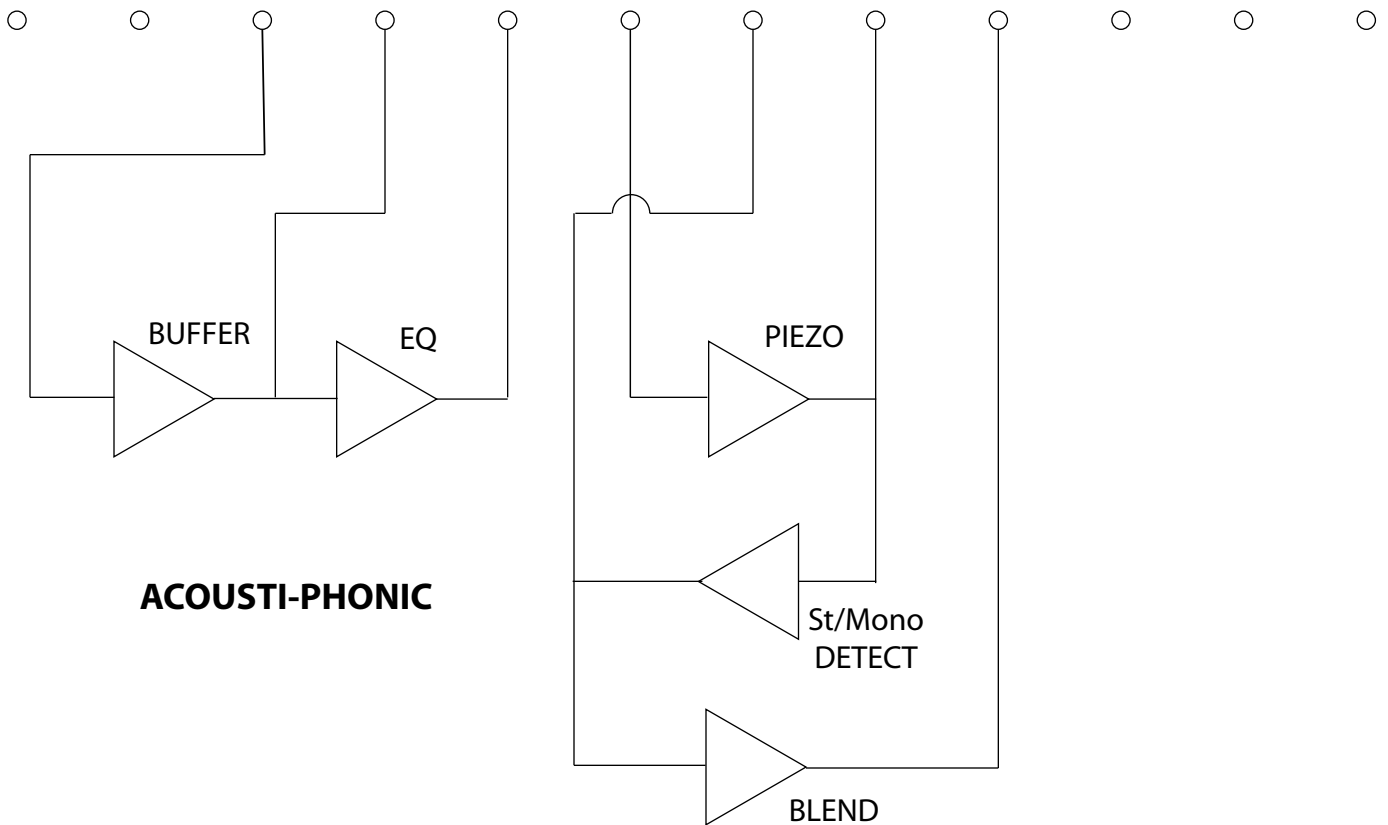


# ACOUSTI-PHONIC with Mag Bypass Stereo Jack



signal through-pins on Acousti-Phonic board (ground pins not shown)



**ACOUSTI-PHONIC**