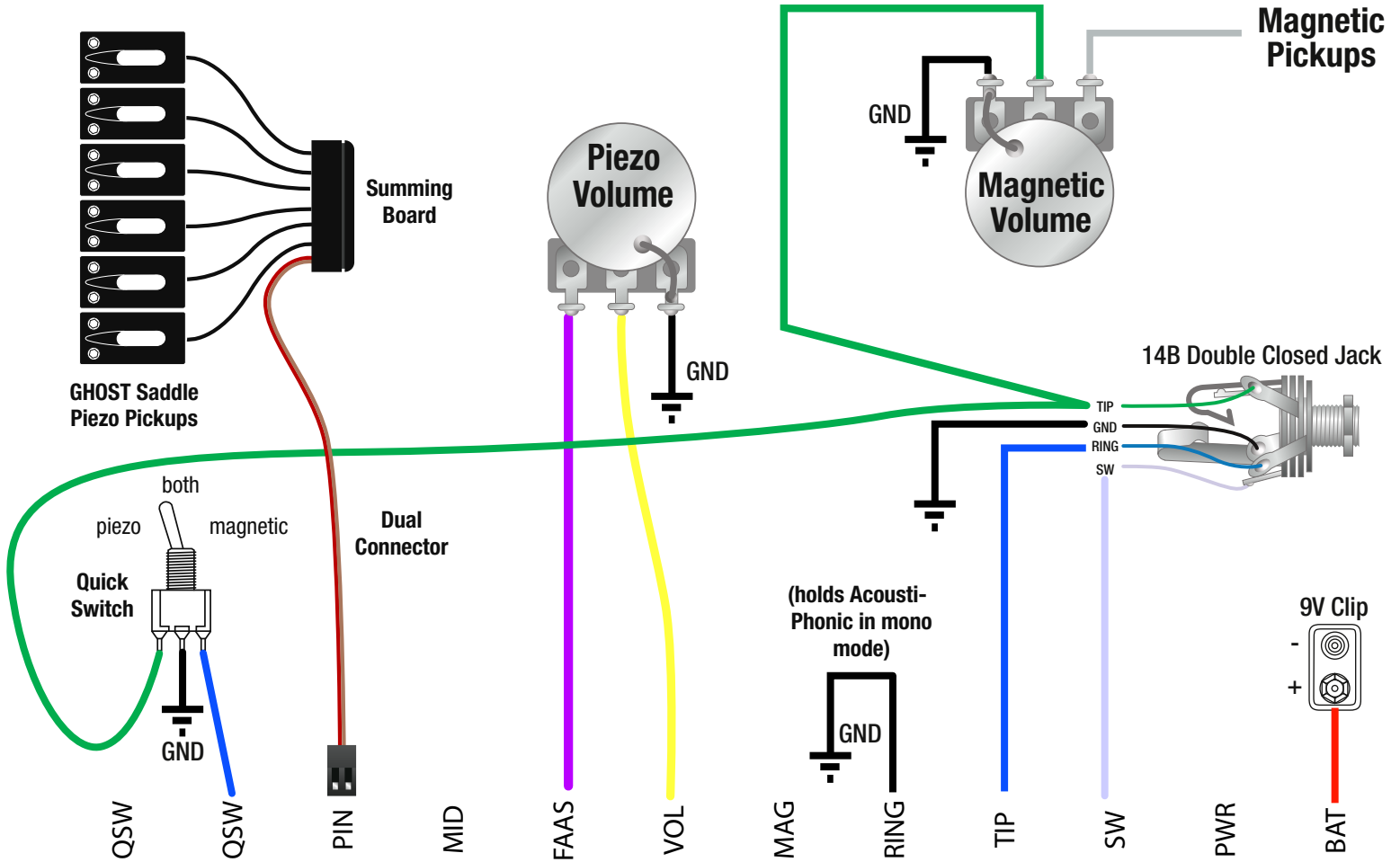


ACOUSTI-PHONIC with 14B Stereo Jack

(true bypass mag only when you plug in a 1/4" mono cord)



signal through-pins on Acousti-Phonic board (ground pins not shown)

