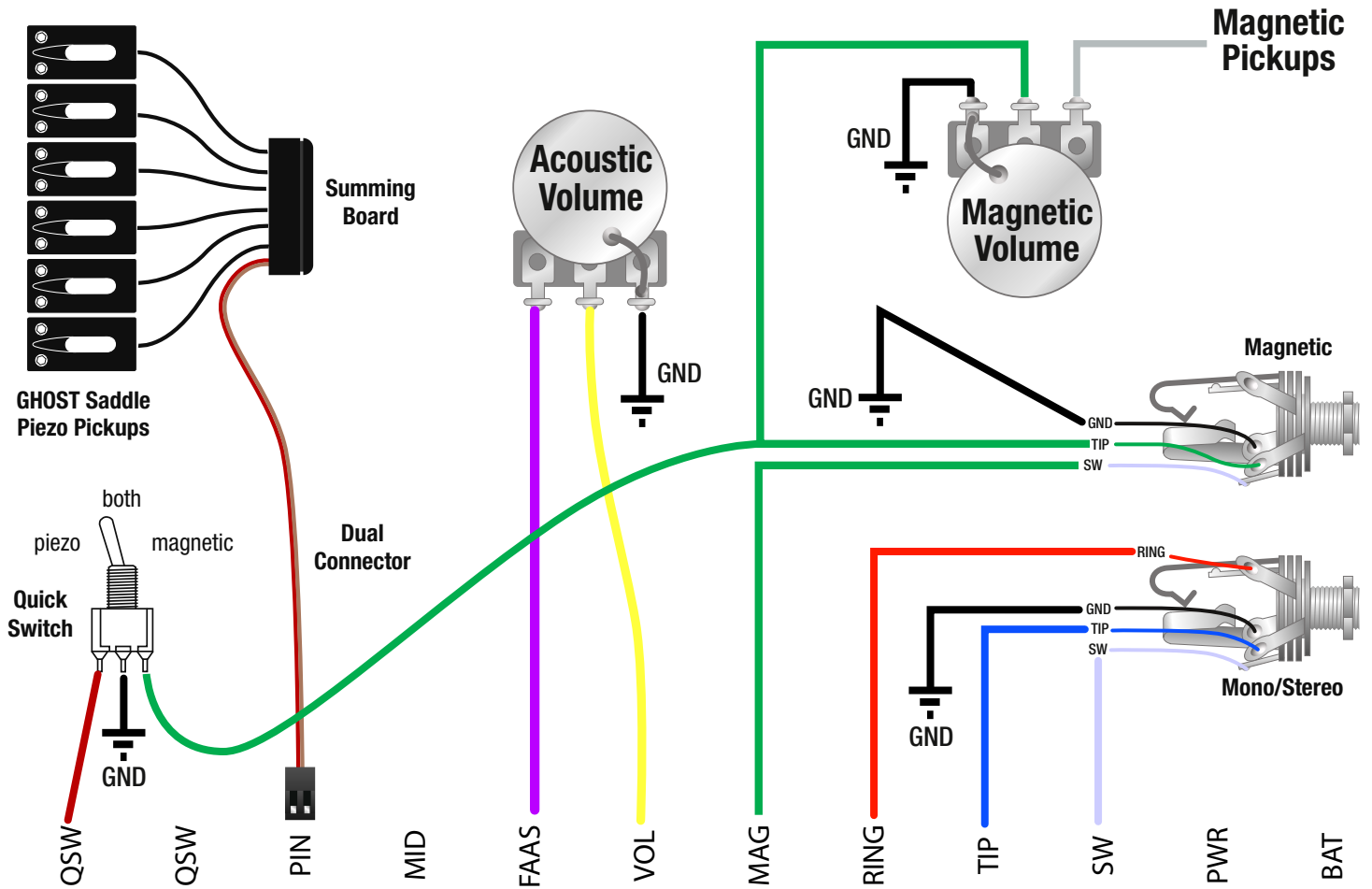


ACOUSTI-PHONIC with Dual Output Jacks for Magnetic and Mono/Stereo



signal through-pins on Acousti-Phonic board (ground pins not shown)

