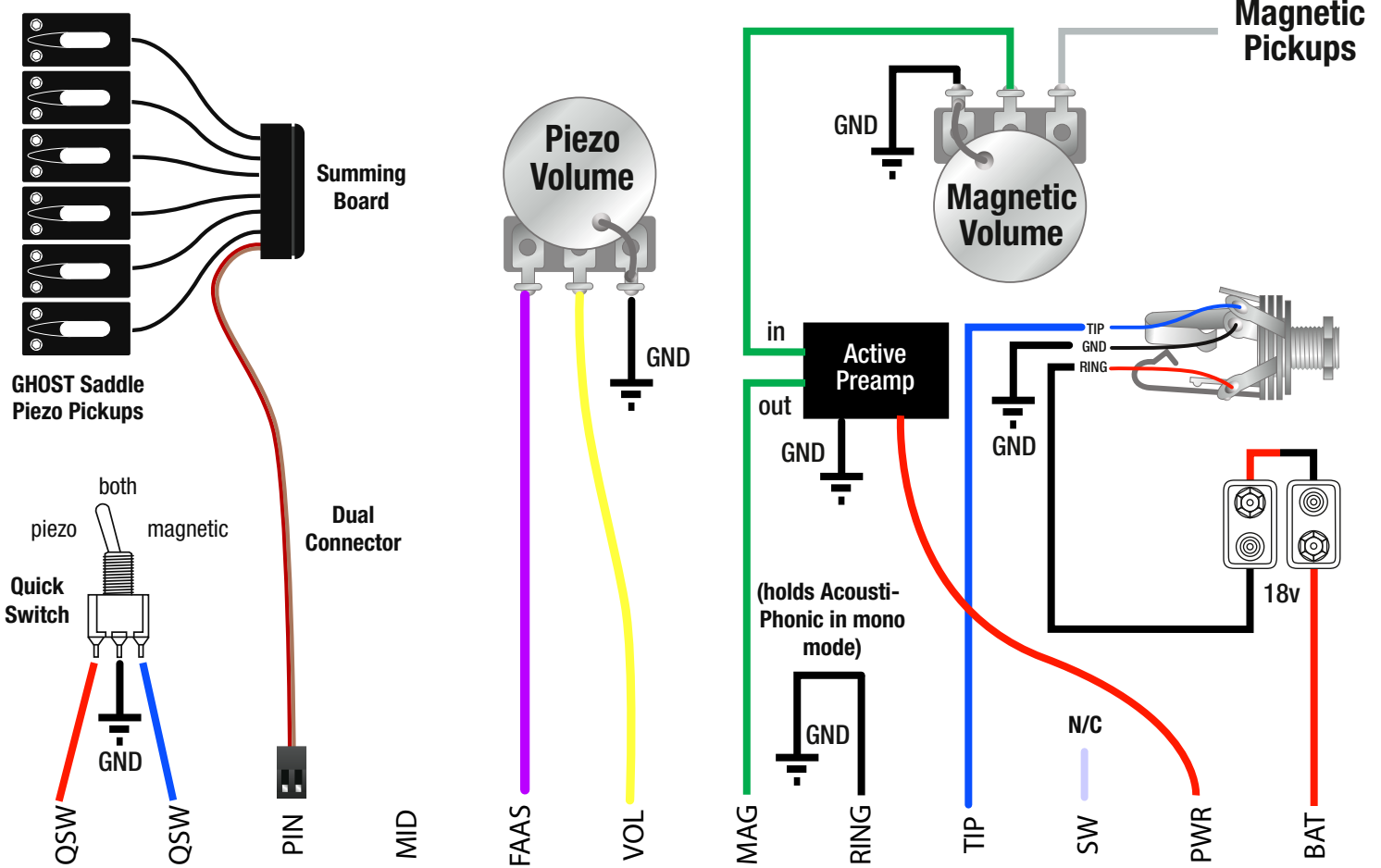
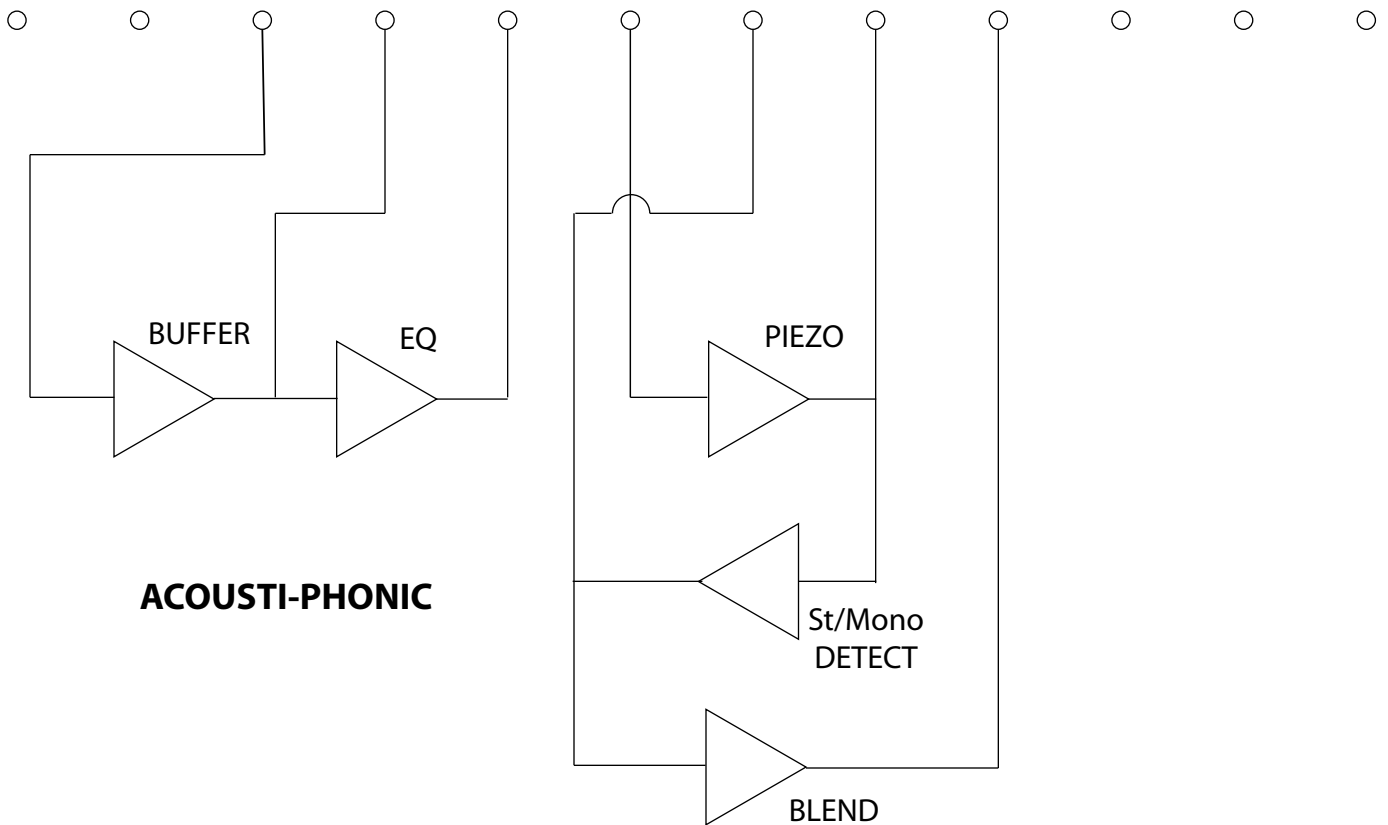


# ACOUSTI-PHONIC with 18v Active Preamp , and Power Off for both when jack is unplugged



signal through-pins on Acousti-Phonic board (ground pins not shown)



**ACOUSTI-PHONIC**