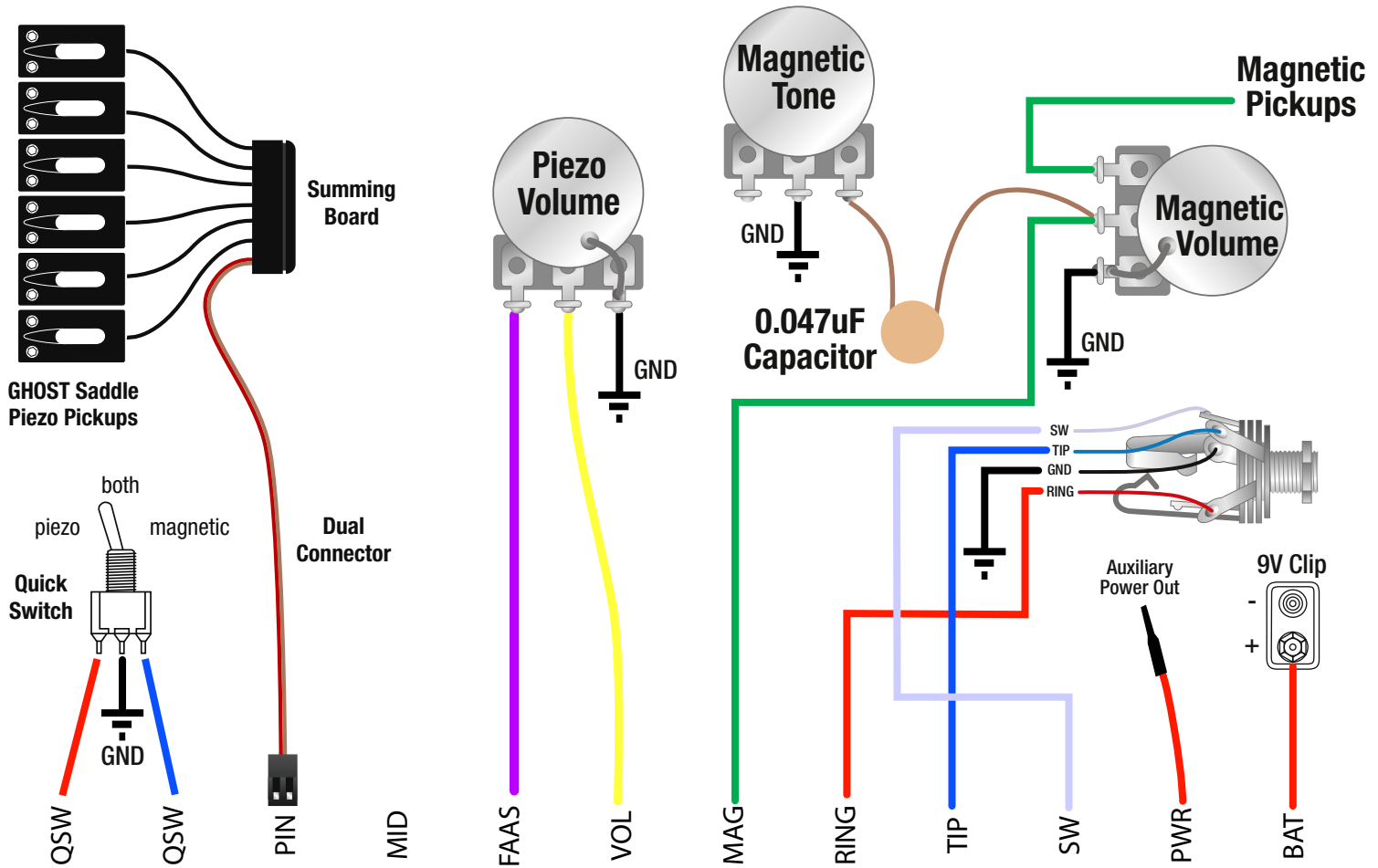


ACOUSTI-PHONIC with Magnetic Tone, Piezo Volume, QuickSwitch, Jack



signal through-pins on Acousti-Phonic board (ground pins not shown)

