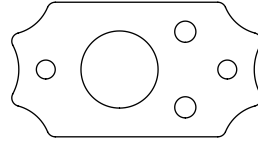


model

actual size

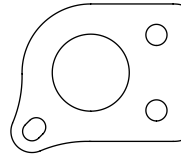
**PRT-952-213 series**

Gibson Style Screw Hole



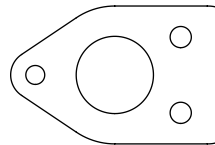
**PRT-952-214 series**

45 Degree Screw Hole



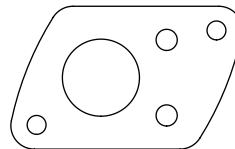
**PRT-952-216 series**

90 Degree Screw Hole



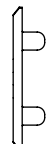
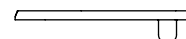
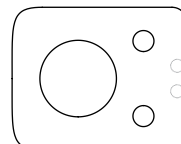
**PRT-952-217 series**

'F' Style Screw Hole



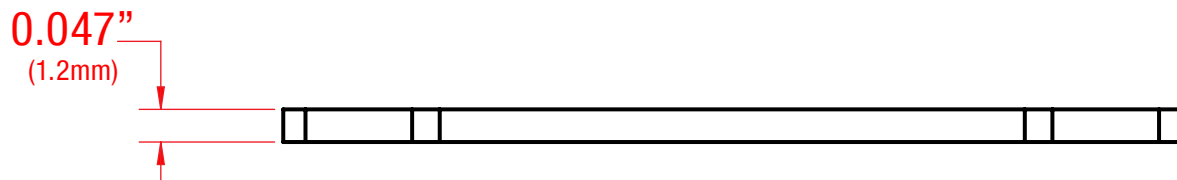
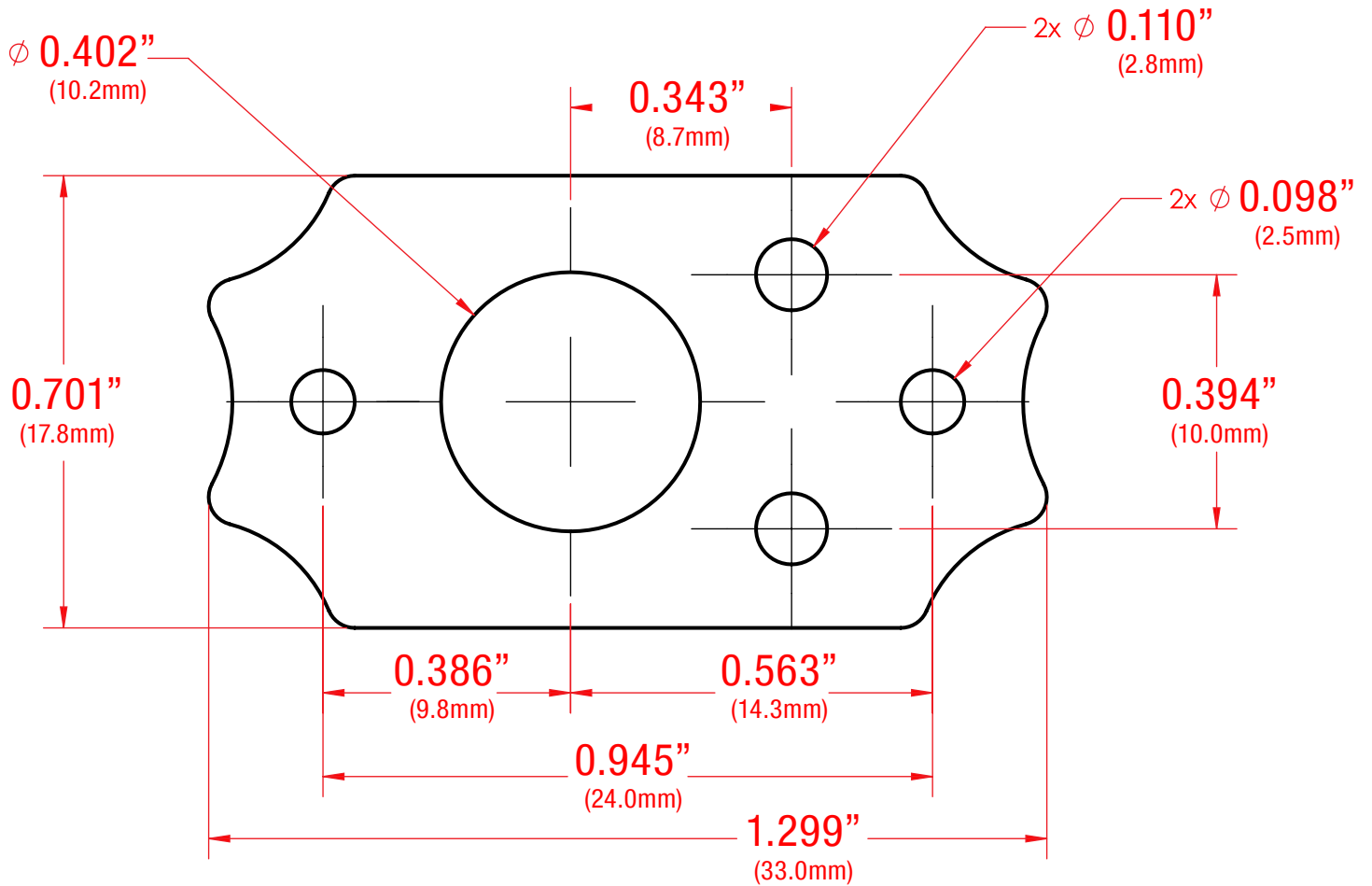
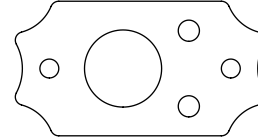
**PRT-952-201 series**

Fender Style 2 Pin Hole



**PRT-952-213 series**

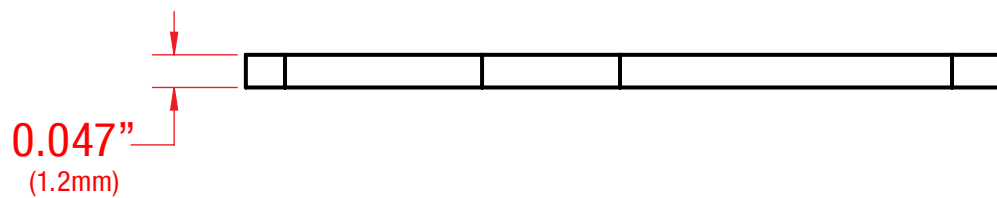
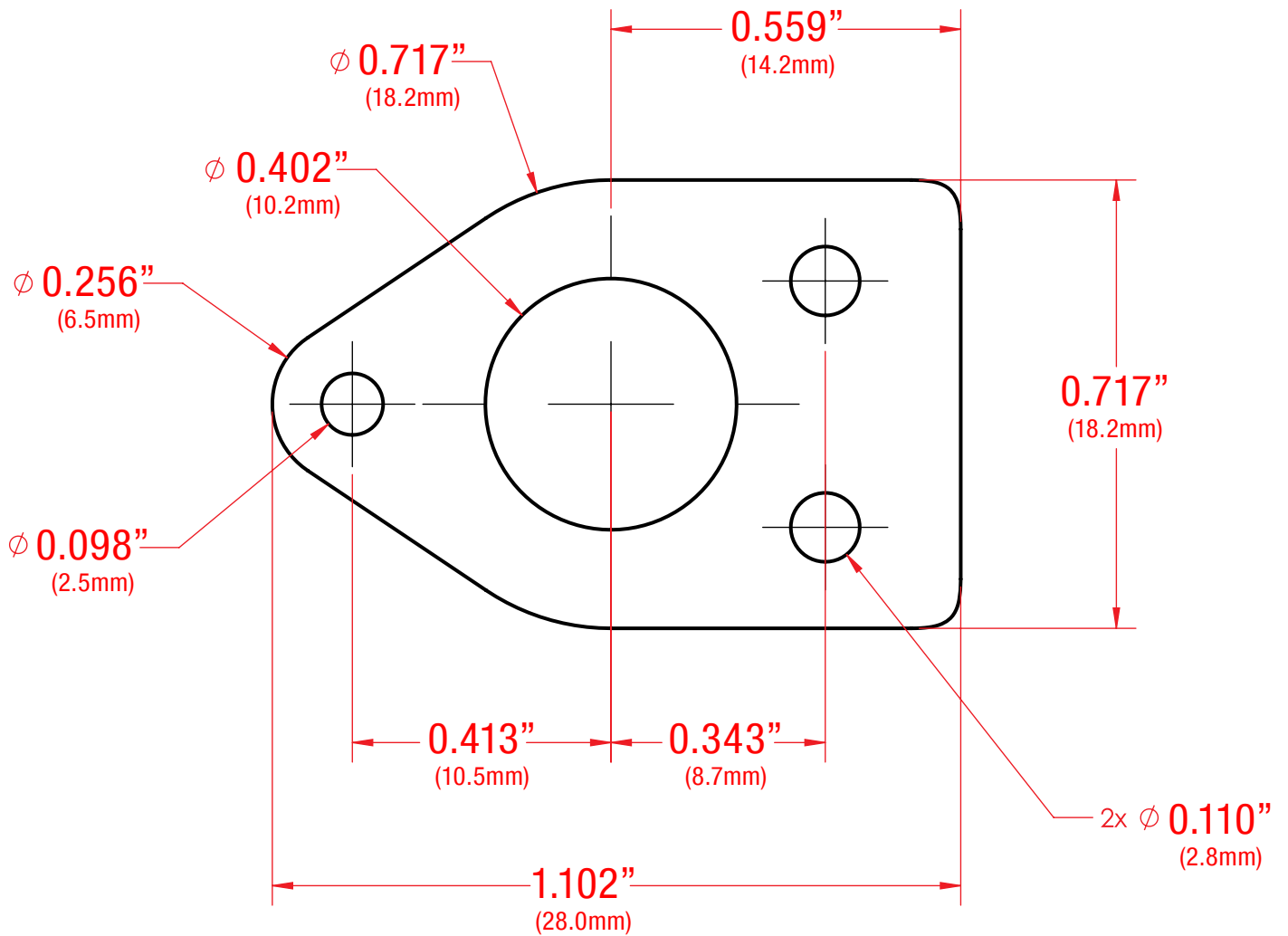
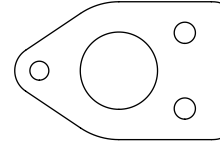
Gibson Style Screw Hole





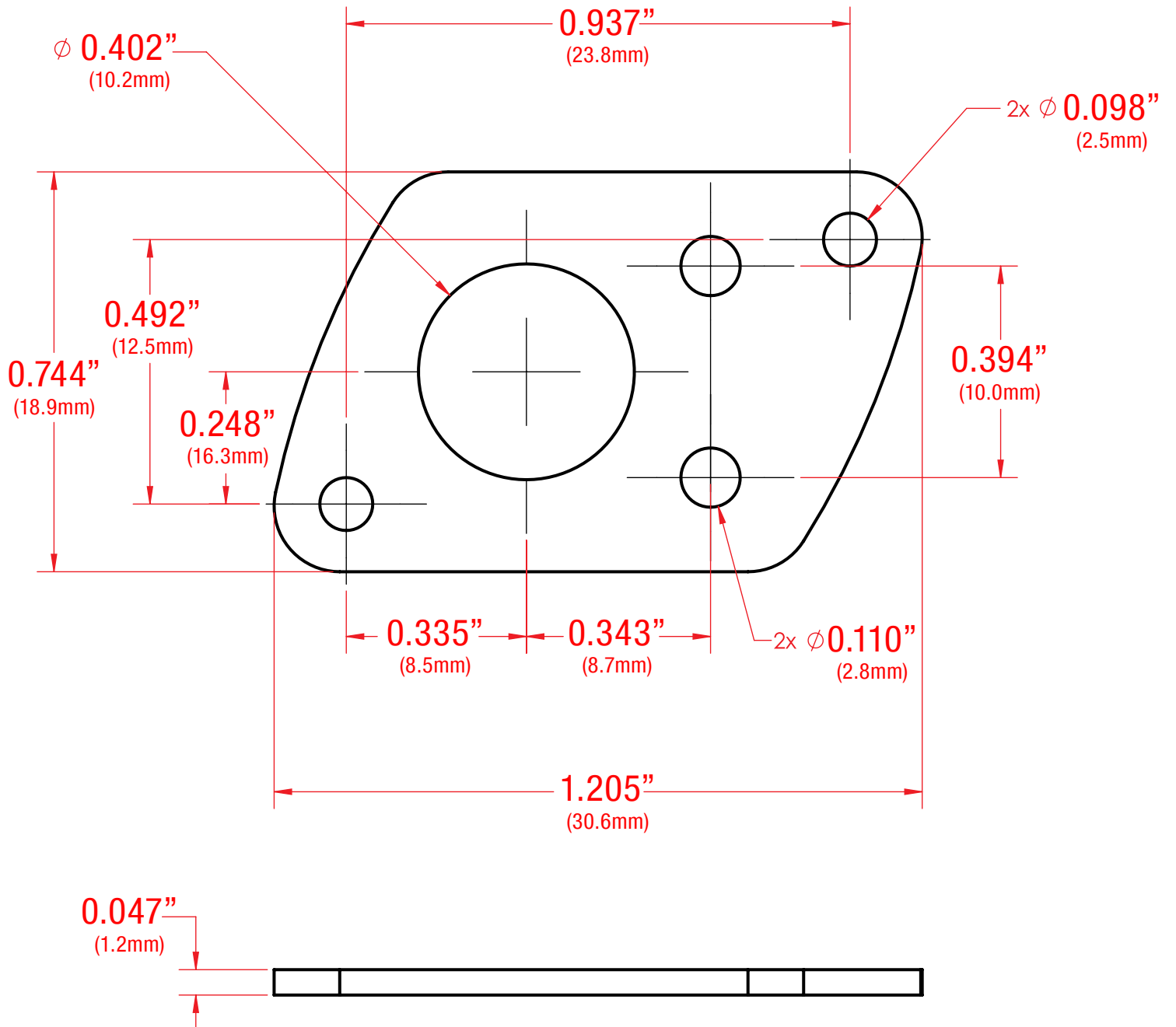
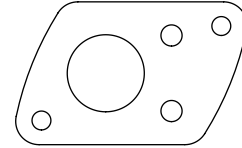
**PRT-952-216 series**

90 Degree Screw Hole



**PRT-952-217 series**

'F' Style Screw Hole



**PRT-952-201 series**

Fender Style 2 Pin Hole

